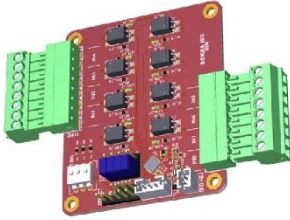


I2C 8DI

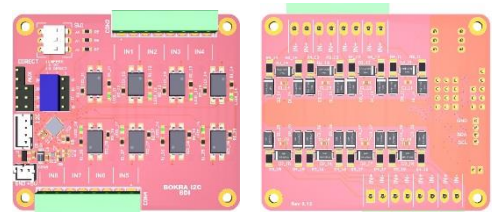


The **BOKRA I2C 8DI** module has eight digital input channels. The level of the digital input signal - 24V.

All channels are individually galvanically isolated with an electrical insulation strength of 1.5 kV.

There is an indication of the status of digital input channels.

The **BOKRA I2C 8DI** module is controlled via the I²C interface using the [MCP23008](#) chip. The microcontroller has the ability to direct access four channels of digital input through an auxiliary connector. These control methods allow you to use the module with almost any type of microcontroller.



The main areas of application of the **BOKRA I2C 8DI** module:

- Industry
- Data acquisition systems (DAS)
- Agricultural industry
- Smart home
- Heating, Ventilation, & Air Conditioning (HVAC)
- PLC
- Ecology monitoring
- Transport
- Consumer electronics and devices
- Lighting

BOKRA I2C 8DI features

- MCP23008 I2C chip with I²C bus
- Support 100kHz and 400kHz I²C bus frequency
- Microswitch addressing to use eight addresses on the I²C bus
- Interrupt output signal from MCP23008
- Compatible with most microcontrollers
- 8 Optically isolated digital input channels
- 0-24VDC input voltage
- 4 Optically isolated digital output channels
- 1500VDC insulation breakdown strength for input signals (optocoupler LTV-814)
- LED indication of input and output signals status
- The **BOKRA I2C 8DI** module size 65 x 56 mm. The format of the module corresponds to the popular format of the Raspberry Pi 3A+, which greatly simplifies its use with the Raspberry Pi.

MCP23008 is controlled via I²C connector.

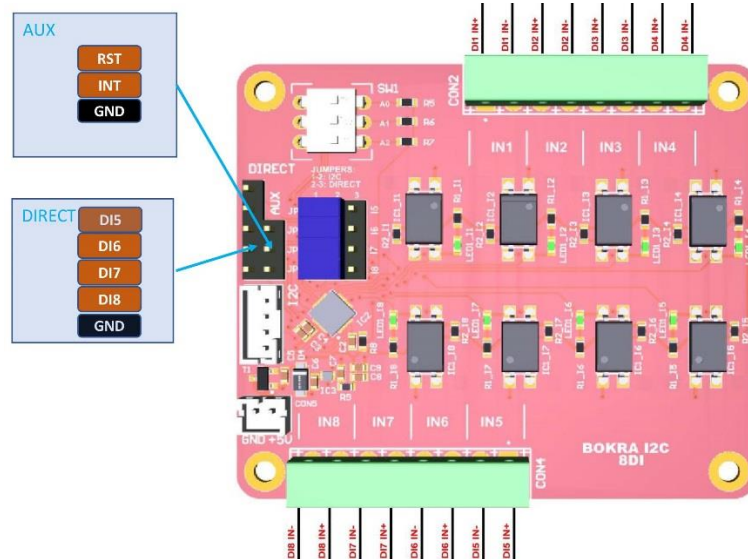
Microswitch SW1 is used to select the address MCP23008 on mikroBUS.

Power supply - 5 VDC.

RST and INT signals of the MCP23008 are output to the AUX connector.

Using the DIRECT connector signals DI5, DI6, FI7 and DI8 are obtained from it. How to connect This channels connection with an external module or with MCP23008 is determined on the corresponding jumpers.

The following figure shows the **location of elements on the BOKRA I2C 8DI module**.



BOKRA I2C 8DI schematic:

